



APPLICATION

AFC-VB fans are used in ventilation installations, where the fan is connected to air ducts at the inlet and outlet and the motor has to be separated from the air stream due to increased temperature or the presence of dust in transported air.

CONSTRUCTION

Axial fan with belt drive designed for duct mounting in the horizontal position. The housing is made of welded steel sheet covered with powder paint. The rotor is made of aluminium and dynamically balanced, according to ISO 1940-1. The hub is made of aluminium. The fans are designed for use within the temperature range -30°C to +120°C.

On request, we could supply the equipment tailored to individual customer needs, including: provided with non-standard housing (adjusted length or diameter, made of stainless or galvanized steel). The fans can be supplied in any color from the RAL palette (RAL 9005 - black is the standard color). Fans with a diameter above 1000 mm individually selected to the specified working point.

MOTOR

Asynchronous, three-phase 230/400V, 50 Hz and 400/690V, 50 Hz (depending on the fan model and motor power). Insulation class F, degree of protection IP 55. The motors are made in accordance with EC 60072 and 60034 standards. On request, we can deliver motor provided with an independent cooling system and/or with sensors. The three-phase motors are driven by frequency in range 25-50 Hz.

Performance curves and technical data - according to the standard AFC type fans.

DESIGNATION

AF	C	-	VB	/	4	-	400	-	150	T
1	2		3		4		5		6	7

- Name
- Model
 - C** - canal
- Belt drive
- Number of poles
 - 2** - 2800 rpm - 50 Hz
 - 4** - 1400 rpm - 50 Hz
- Nominal diameter of impeller [mm]
- Motor power factor
 - 150** - 150 x 10 = 1500W
- Electrical supply
 - T** - three-phase

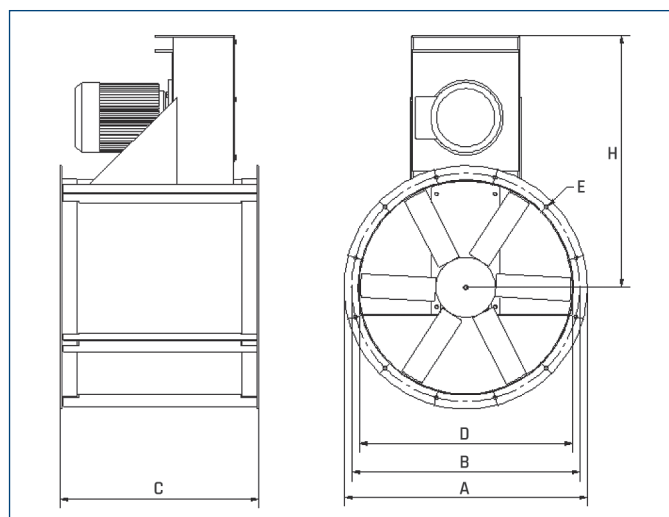


WWW



CE

DIMENSIONS [mm]



Type	∅A	∅B	C*	∅D	N**x∅E	H
400	500	450	500	400	8x10	530
450	550	500	500	450	8x10	540
500	600	550	500	500	12x12	560
560	660	610	500	560	12x12	590
630	736	690	660	630	12x12	740
710	810	760	660	710	12x12	840
800	900	850	820	800	12x12	890
900	1000	950	820	900	12x12	1000
1000	1100	1050	830	1000	12x12	1065

* dimension dependent on the type of motor

** number of holes