



## APPLICATION

Axial fans for room ventilation, specially designed for window installation or on a wall.

## CONSTRUCTION

The axial flow fans are equipped with a shutter to prevent air entry. Offered in three versions:

- **AE** standard model, one speed
- **M** model with integrated pull cord  
HV-150 M - single speed  
HV-230 M - 2-speed, reversible
- **A** model operated via wall switch  
HV-150A - single speed, regulator CR-150  
HV-230A and HV-300A - two speed, reversible, regulator CR-300
- **RC** model with remote control, (reversible, 2-speed)

## MOTOR

Single phase 230V -50 Hz motor with degree of protection IP X4 and insulation class B.

## ACCESSORIES

Regulators CR-150, CR-300, wall-mounting screws.

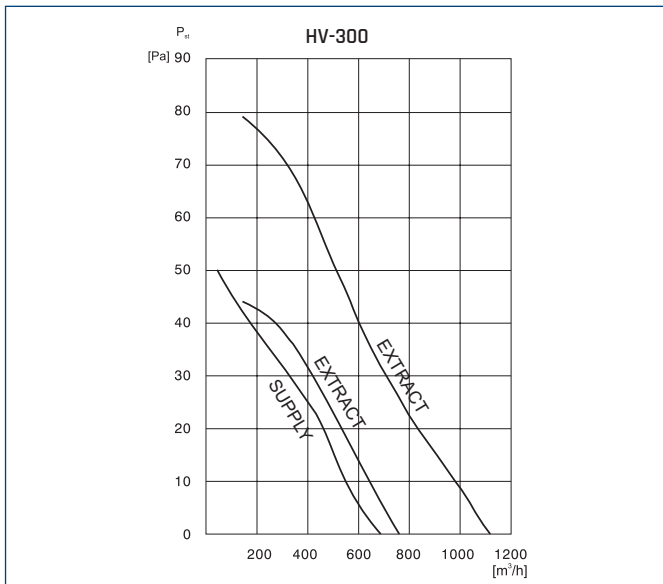
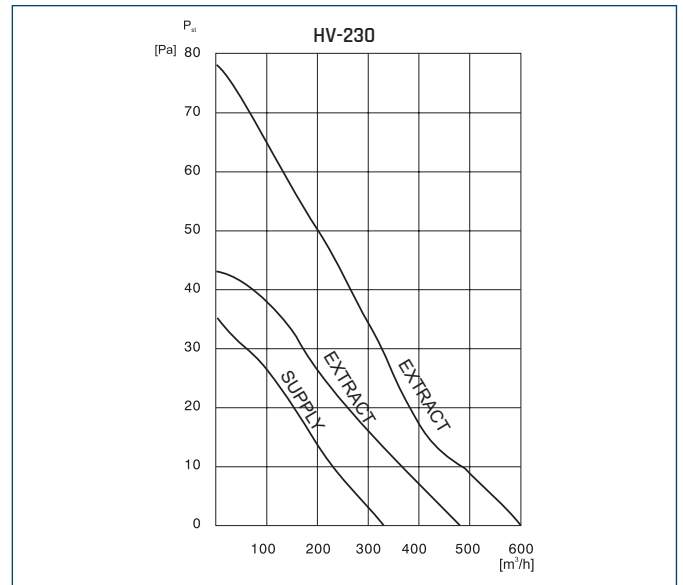
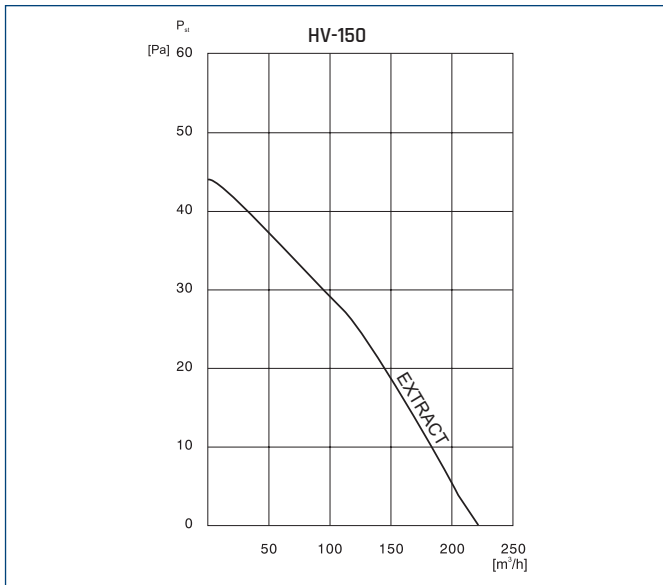


## TECHNICAL CHARACTERISTICS

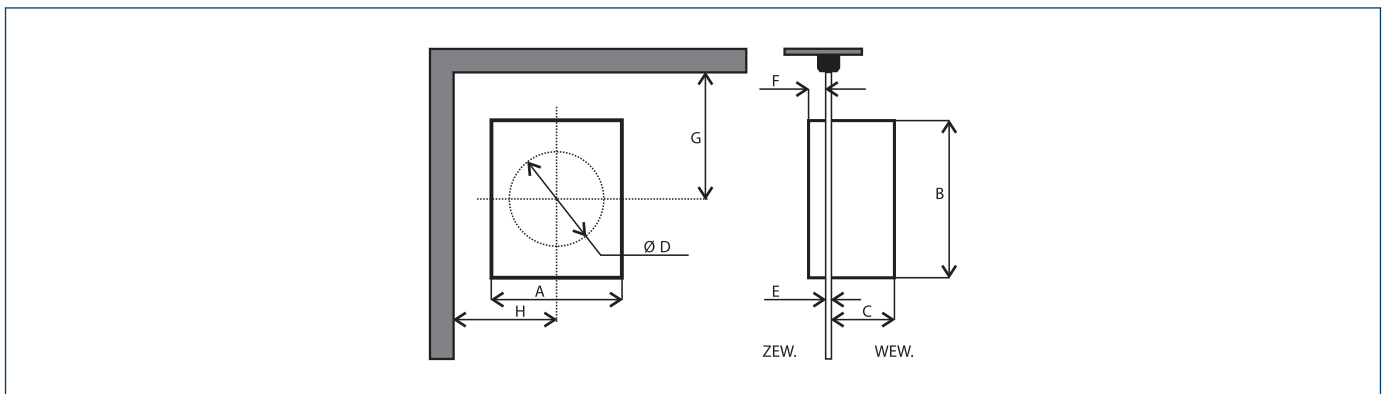
Type	speed	maximum absorbed power	maximum absorbed current	airflow rate			sound pressure level*		weight	article number
				extraction		supply	high speed   low speed			
	[obr/min]	[W]	[A]	[m <sup>3</sup> /h]			[dB(A)]		[kg]	
HV-150 AE	1800	32	0,19	225	-	-	39	-	2,0	40021020
HV-150 M	1800	32	0,19	225	-	-	39	-	2,0	40021030
HV-150 A	1800	32	0,19	225	-	-	39	-	2,0	40021010
HV-230 AE	1250	34	0,15	600	-	330	43	-	3,5	40021050
HV-230 M	1250	34	0,15	600	450	330	43	37	3,5	40021060
HV-230 A	1250	34	0,15	600	450	330	43	37	3,5	40021040
HV-230 RC	1250	34	0,15	600	450	330	43	37	3,5	40021070
HV-300 AE	1150	68	0,30	1100	-	700	46	-	5,1	40021090
HV-300 M	1150	68	0,30	1100	750	700	46	38	5,1	40021105
HV-300 A	1150	68	0,30	1100	750	700	46	38	5,1	40021080
HV-300 RC	1150	68	0,30	1100	750	700	46	38	5,1	40021100

\* measured at a distance of 3m from the fan.

PERFORMANCE CURVES



DIMENSIONS [mm]



Type	A	B	C	ØD min   max		E min   max		F	G min	H min
HV-150	230	251	109	187	190	3	25	22	160	150
HV-230	300	325	142	259	262	3	25	22	200	185
HV-300	368	403	150	327	330	3	25	22	230	220